



An improved limit for Γ_{ee} of $X(3872)$ and Γ_{ee} measurement of $\psi(3686)$



BESIII Collaboration

M. Ablikim^a, M.N. Achasov^{i,1}, X.C. Ai^a, O. Albayrak^e, M. Albrecht^d, D.J. Ambrose^{av}, A. Amoroso^{az,bb}, F.F. An^a, Q. An^{aw}, J.Z. Bai^a, R. Baldini Ferroli^t, Y. Ban^{ag}, D.W. Bennett^s, J.V. Bennett^e, M. Bertani^t, D. Bettoni^v, J.M. Bian^{au}, F. Bianchi^{az,bb}, E. Boger^{y,8}, O. Bondarenko^{aa}, I. Boyko^y, R.A. Briere^e, H. Cai^{bd}, X. Cai^a, O. Cakir^{ap,2}, A. Calcaterra^t, G.F. Cao^a, S.A. Cetin^{aq}, J.F. Chang^a, G. Chelkov^{y,3}, G. Chen^a, H.S. Chen^a, H.Y. Chen^b, J.C. Chen^a, M.L. Chen^a, S.J. Chen^{ae}, X. Chen^a, X.R. Chen^{ab}, Y.B. Chen^a, H.P. Cheng^q, X.K. Chu^{ag}, G. Cibinetto^v, D. Cronin-Hennessy^{au}, H.L. Dai^a, J.P. Dai^{aj}, A. Dbeysyⁿ, D. Dedovich^y, Z.Y. Deng^a, A. Denig^x, I. Denysenko^y, M. Destefanis^{az,bb}, F. De Mori^{az,bb}, Y. Ding^{ac}, C. Dong^{af}, J. Dong^a, L.Y. Dong^a, M.Y. Dong^a, S.X. Du^{bf}, P.F. Duan^a, J.Z. Fan^{ao}, J. Fang^a, S.S. Fang^a, X. Fang^{aw}, Y. Fang^a, L. Fava^{ba,bb}, F. Feldbauer^x, G. Felici^t, C.Q. Feng^{aw}, E. Fioravanti^v, M. Fritsch^{n,x}, C.D. Fu^a, Q. Gao^a, X.Y. Gao^b, Y. Gao^{ao}, Z. Gao^{aw}, I. Garzia^v, C. Geng^{aw}, K. Goetzen^j, W.X. Gong^a, W. Gradl^x, M. Greco^{az,bb}, M.H. Gu^a, Y.T. Gu^l, Y.H. Guan^a, A.Q. Guo^a, L.B. Guo^{ad}, Y. Guo^a, Y.P. Guo^x, Z. Haddadi^{aa}, A. Hafner^x, S. Han^{bd}, Y.L. Han^a, X.Q. Hao^o, F.A. Harris^{at}, K.L. He^a, Z.Y. He^{af}, T. Held^d, Y.K. Heng^a, Z.L. Hou^a, C. Hu^{ad}, H.M. Hu^a, J.F. Hu^{az,bb}, T. Hu^a, Y. Hu^a, G.M. Huang^f, G.S. Huang^{aw}, H.P. Huang^{bd}, J.S. Huang^o, X.T. Huang^{ai}, Y. Huang^{ae}, T. Hussain^{ay}, Q. Ji^a, Q.P. Ji^{af}, X.B. Ji^a, X.L. Ji^a, L.L. Jiang^a, L.W. Jiang^{bd}, X.S. Jiang^a, J.B. Jiao^{ai}, Z. Jiao^q, D.P. Jin^a, S. Jin^a, T. Johansson^{bc}, A. Julin^{au}, N. Kalantar-Nayestanaki^{aa}, X.L. Kang^a, X.S. Kang^{af}, M. Kavatsyuk^{aa}, B.C. Ke^e, R. Kliemtⁿ, B. Kloss^x, O.B. Kolcu^{aq,4}, B. Kopf^d, M. Kornicer^{at}, W. Kühn^z, A. Kupsc^{bc}, W. Lai^a, J.S. Lange^z, M. Lara^s, P. Larinⁿ, C. Leng^{bb}, C.H. Li^a, Cheng Li^{aw}, D.M. Li^{bf}, F. Li^a, G. Li^a, H.B. Li^a, J.C. Li^a, Jin Li^{ah}, K. Li^m, K. Li^{ai}, Lei Li^c, P.R. Li^{as}, T. Li^{ai}, W.D. Li^a, W.G. Li^a, X.L. Li^{ai}, X.M. Li^l, X.N. Li^a, X.Q. Li^{af}, Z.B. Li^{an}, H. Liang^{aw}, Y.F. Liang^{al}, Y.T. Liang^z, G.R. Liao^k, D.X. Linⁿ, B.J. Liu^a, C.X. Liu^a, F.H. Liu^{ak}, Fang Liu^a, Feng Liu^f, H.B. Liu^l, H.H. Liu^a, H.H. Liu^p, H.M. Liu^a, J. Liu^a, J.P. Liu^{bd}, J.Y. Liu^a, K. Liu^{ao}, K.Y. Liu^{ac}, L.D. Liu^{ag}, P.L. Liu^a, Q. Liu^{as}, S.B. Liu^{aw}, X. Liu^{ab}, X.X. Liu^{as}, Y.B. Liu^{af}, Z.A. Liu^a, Zhiqiang Liu^a, Zhiqing Liu^x, H. Loehner^{aa}, X.C. Lou^{a,5}, H.J. Lu^q, J.G. Lu^a, R.Q. Lu^r, Y. Lu^a, Y.P. Lu^a, C.L. Luo^{ad}, M.X. Luo^{be}, T. Luo^{at}, X.L. Luo^a, M. Lv^a, X.R. Lyu^{as}, F.C. Ma^{ac}, H.L. Ma^a, L.L. Ma^{ai}, Q.M. Ma^a, S. Ma^a, T. Ma^a, X.N. Ma^{af}, X.Y. Ma^a, F.E. Maasⁿ, M. Maggiora^{az,bb}, Q.A. Malik^{ay}, Y.J. Mao^{ag}, Z.P. Mao^a, S. Marcello^{az,bb}, J.G. Messchendorp^{aa}, J. Min^a, T.J. Min^a, R.E. Mitchell^s, X.H. Mo^a, Y.J. Mo^f, C. Morales Moralesⁿ, K. Moriya^s, N.Yu. Muchnoi^{i,1}, H. Muramatsu^{au}, Y. Nefedov^y, F. Nerlingⁿ, I.B. Nikolaev^{i,1}, Z. Ning^a, S. Nisar^h, S.L. Niu^a, X.Y. Niu^a, S.L. Olsen^{ah}, Q. Ouyang^a, S. Pacetti^u, P. Patteri^t, M. Pelizaeus^d, H.P. Peng^{aw}, K. Peters^j, J. Pettersson^{bc}, J.L. Ping^{ad}, R.G. Ping^a, R. Poling^{au}, Y.N. Pu^r, M. Qi^{ae}, S. Qian^a, C.F. Qiao^{as}, L.Q. Qin^{ai}, N. Qin^{bd}, X.S. Qin^a, Y. Qin^{ag}, Z.H. Qin^a, J.F. Qiu^a, K.H. Rashid^{ay}, C.F. Redmer^x, H.L. Ren^r, M. Ripka^{x,*}, G. Rong^a, X.D. Ruan^l, V. Santoro^v, A. Sarantsev^{y,6}, M. Savrié^w, K. Schoenning^{bc}, S. Schumann^x, W. Shan^{ag},

M. Shao^{aw}, C.P. Shen^b, P.X. Shen^{af}, X.Y. Shen^a, H.Y. Sheng^a, W.M. Song^a, X.Y. Song^a, S. Sosio^{az,bb}, S. Spataro^{az,bb}, G.X. Sun^a, J.F. Sun^o, S.S. Sun^a, Y.J. Sun^{aw}, Y.Z. Sun^a, Z.J. Sun^a, Z.T. Sun^s, C.J. Tang^{al}, X. Tang^a, I. Tapan^{ar}, E.H. Thorndike^{av}, M. Tiemens^{aa}, D. Toth^{au}, M. Ullrich^z, I. Uman^{aq}, G.S. Varner^{at}, B. Wang^{af}, B.L. Wang^{as}, D. Wang^{ag}, D.Y. Wang^{ag}, K. Wang^a, L.L. Wang^a, L.S. Wang^a, M. Wang^{ai}, P. Wang^a, P.L. Wang^a, Q.J. Wang^a, S.G. Wang^{ag}, W. Wang^a, X.F. Wang^{ao}, Y.D. Wang^t, Y.F. Wang^a, Y.Q. Wang^x, Z. Wang^a, Z.G. Wang^a, Z.H. Wang^{aw}, Z.Y. Wang^a, T. Weber^x, D.H. Wei^k, J.B. Wei^{ag}, P. Weidenkaff^x, S.P. Wen^a, U. Wiedner^d, M. Wolke^{bc}, L.H. Wu^a, Z. Wu^a, L.G. Xia^{ao}, Y. Xia^r, D. Xiao^a, Z.J. Xiao^{ad}, Y.G. Xie^a, Q.L. Xiu^a, G.F. Xu^a, L. Xu^a, Q.J. Xu^m, Q.N. Xu^{as}, X.P. Xu^{am}, L. Yan^{aw}, W.B. Yan^{aw}, W.C. Yan^{aw}, Y.H. Yan^r, H.X. Yang^a, L. Yang^{bd}, Y. Yang^f, Y.X. Yang^k, H. Ye^a, M. Ye^a, M.H. Ye^g, J.H. Yin^a, B.X. Yu^a, C.X. Yu^{af}, H.W. Yu^{ag}, J.S. Yu^{ab}, C.Z. Yuan^a, W.L. Yuan^{ae}, Y. Yuan^a, A. Yuncu^{aq,7}, A.A. Zafar^{ay}, A. Zallo^t, Y. Zeng^r, B.X. Zhang^a, B.Y. Zhang^a, C. Zhang^{ae}, C.C. Zhang^a, D.H. Zhang^a, H.H. Zhang^{an}, H.Y. Zhang^a, J.J. Zhang^a, J.L. Zhang^a, J.Q. Zhang^a, J.W. Zhang^a, J.Y. Zhang^a, J.Z. Zhang^a, K. Zhang^a, L. Zhang^a, S.H. Zhang^a, X.Y. Zhang^{ai}, Y. Zhang^a, Y.H. Zhang^a, Y.T. Zhang^{aw}, Z.H. Zhang^f, Z.P. Zhang^{aw}, Z.Y. Zhang^{bd}, G. Zhao^a, J.W. Zhao^a, J.Y. Zhao^a, J.Z. Zhao^a, Lei Zhao^{aw}, Ling Zhao^a, M.G. Zhao^{af}, Q. Zhao^a, Q.W. Zhao^a, S.J. Zhao^{bf}, T.C. Zhao^a, Y.B. Zhao^a, Z.G. Zhao^{aw}, A. Zhemchugov^{y,8}, B. Zheng^{ax}, J.P. Zheng^a, W.J. Zheng^{ai}, Y.H. Zheng^{as}, B. Zhong^{ad}, L. Zhou^a, Li Zhou^{af}, X. Zhou^{bd}, X.K. Zhou^{aw}, X.R. Zhou^{aw}, X.Y. Zhou^a, K. Zhu^a, K.J. Zhu^a, S. Zhu^a, X.L. Zhu^{ao}, Y.C. Zhu^{aw}, Y.S. Zhu^a, Z.A. Zhu^a, J. Zhuang^a, L. Zotti^{az,bb}, B.S. Zou^a, J.H. Zou^a

^a Institute of High Energy Physics, Beijing 100049, People's Republic of China

^b Beihang University, Beijing 100191, People's Republic of China

^c Beijing Institute of Petrochemical Technology, Beijing 102617, People's Republic of China

^d Bochum Ruhr-University, D-44780 Bochum, Germany

^e Carnegie Mellon University, Pittsburgh, PA 15213, USA

^f Central China Normal University, Wuhan 430079, People's Republic of China

^g China Center of Advanced Science and Technology, Beijing 100190, People's Republic of China

^h COMSATS Institute of Information Technology, Lahore, Defence Road, Off Raiwind Road, 54000 Lahore, Pakistan

ⁱ G.I. Budker Institute of Nuclear Physics SB RAS (BINP), Novosibirsk 630090, Russia

^j GSI Helmholtzcentre for Heavy Ion Research GmbH, D-64291 Darmstadt, Germany

^k Guangxi Normal University, Guilin 541004, People's Republic of China

^l GuangXi University, Nanning 530004, People's Republic of China

^m Hangzhou Normal University, Hangzhou 310036, People's Republic of China

ⁿ Helmholtz Institute Mainz, Johann-Joachim-Becher-Weg 45, D-55099 Mainz, Germany

^o Henan Normal University, Xinxiang 453007, People's Republic of China

^p Henan University of Science and Technology, Luoyang 471003, People's Republic of China

^q Huangshan College, Huangshan 245000, People's Republic of China

^r Hunan University, Changsha 410082, People's Republic of China

^s Indiana University, Bloomington, IN 47405, USA

^t INFN Laboratori Nazionali di Frascati, I-00044, Frascati, Italy

^u INFN and University of Perugia, I-06100, Perugia, Italy

^v INFN Sezione di Ferrara, I-44122, Ferrara, Italy

^w University of Ferrara, I-44122, Ferrara, Italy

^x Johannes Gutenberg University of Mainz, Johann-Joachim-Becher-Weg 45, D-55099 Mainz, Germany

^y Joint Institute for Nuclear Research, 141980 Dubna, Moscow region, Russia

^z Justus Liebig University Giessen, II. Physikalisches Institut, Heinrich-Buff-Ring 16, D-35392 Giessen, Germany

^{aa} KVI-CART, University of Groningen, NL-9747 AA Groningen, The Netherlands

^{ab} Lanzhou University, Lanzhou 730000, People's Republic of China

^{ac} Liaoning University, Shenyang 110036, People's Republic of China

^{ad} Nanjing Normal University, Nanjing 210023, People's Republic of China

^{ae} Nanjing University, Nanjing 210093, People's Republic of China

^{af} Nankai University, Tianjin 300071, People's Republic of China

^{ag} Peking University, Beijing 100871, People's Republic of China

^{ah} Seoul National University, Seoul, 151-747, Republic of Korea

^{ai} Shandong University, Jinan 250100, People's Republic of China

^{aj} Shanghai Jiao Tong University, Shanghai 200240, People's Republic of China

^{ak} Shanxi University, Taiyuan 030006, People's Republic of China

^{al} Sichuan University, Chengdu 610064, People's Republic of China

^{am} Soochow University, Suzhou 215006, People's Republic of China

^{an} Sun Yat-Sen University, Guangzhou 510275, People's Republic of China

^{ao} Tsinghua University, Beijing 100084, People's Republic of China

^{ap} Istanbul Aydin University, 34295 Sefakoy, Istanbul, Turkey

^{aq} Dogus University, 34722 Istanbul, Turkey

^{ar} Uludag University, 16059 Bursa, Turkey

^{as} University of Chinese Academy of Sciences, Beijing 100049, People's Republic of China

^{at} University of Hawaii, Honolulu, HI 96822, USA

^{au} University of Minnesota, Minneapolis, MN 55455, USA

^{av} University of Rochester, Rochester, NY 14627, USA

^{aw} University of Science and Technology of China, Hefei 230026, People's Republic of China

^{ax} University of South China, Hengyang 421001, People's Republic of China

^{ay} University of the Punjab, Lahore-54590, Pakistan

^{az} University of Turin, I-10125, Turin, Italy

^{ba} University of Eastern Piedmont, I-15121, Alessandria, Italy

^{bb} INFN, I-10125, Turin, Italy

^{bc} Uppsala University, Box 516, SE-75120 Uppsala, Sweden

^{bd} Wuhan University, Wuhan 430072, People's Republic of China

^{be} Zhejiang University, Hangzhou 310027, People's Republic of China

^{bf} Zhengzhou University, Zhengzhou 450001, People's Republic of China

ARTICLE INFO

Article history:

Received 11 May 2015

Received in revised form 20 July 2015

Accepted 4 August 2015

Available online 7 August 2015

Editor: V. Metag

Keywords:

$X(3872)$

$\psi(3686)$

Γ_{ee}

Charmonium spectroscopy

BESIII

ABSTRACT

Using the data sets taken at center-of-mass energies above 4 GeV by the BESIII detector at the BEPCII storage ring, we search for the reaction $e^+e^- \rightarrow \gamma_{\text{ISR}} X(3872) \rightarrow \gamma_{\text{ISR}} \pi^+\pi^- J/\psi$ via the Initial State Radiation technique. The production of a resonance with quantum numbers $J^{PC} = 1^{++}$ such as the $X(3872)$ via single photon e^+e^- annihilation is forbidden, but is allowed by a next-to-leading order box diagram. We do not observe a significant signal of $X(3872)$, and therefore give an upper limit for the electronic width times the branching fraction $\Gamma_{ee}^{X(3872)} \mathcal{B}(X(3872) \rightarrow \pi^+\pi^- J/\psi) < 0.13$ eV at the 90% confidence level. This measurement improves upon existing limits by a factor of 46. Using the same final state, we also measure the electronic width of the $\psi(3686)$ to be $\Gamma_{ee}^{\psi(3686)} = 2213 \pm 18_{\text{stat}} \pm 99_{\text{sys}}$ eV.

© 2015 The Authors. Published by Elsevier B.V. This is an open access article under the CC BY license (<http://creativecommons.org/licenses/by/4.0/>). Funded by SCOAP³.

1. Introduction

The $X(3872)$ resonance was observed in 2003 by Belle [1] in the decay channel $\pi^+\pi^- J/\psi$. The existence of this state was later confirmed by several other experiments [2–6]. The observation of the decay channel $X(3872) \rightarrow \gamma J/\psi$ implies that the state has even C-parity [5,7,8]. The quantum numbers were finally determined to be $J^{PC} = 1^{++}$ [5,9]. However, the intrinsic nature of the resonance is still unknown and has led to many conjectures. It is a good candidate for a tetraquark state but also for a meson molecule as its mass is close to the $D^0 \bar{D}^{*0}$ threshold [10]. The recent observation of the decay $Y(4260) \rightarrow \gamma X(3872)$ by BESIII [6] implies that the $X(3872)$ could be a meson molecule, as suggested by a model dependent calculation [11]. On the other hand, the large decay rate of $X(3872) \rightarrow \gamma \psi(3686)$ observed by BaBar and LHCb, compared to $X(3872) \rightarrow \gamma J/\psi$ hints at a tetraquark state explanation [8,12,13]. One of the interesting quantities, which may help to reveal the structure of the $X(3872)$ is its electronic width Γ_{ee} . A recent order-of-magnitude calculation using a Vector Meson Dominance model predicts $\Gamma_{ee}^{X(3872)} \approx 0.03$ eV [14], without any prior assumption regarding the nature of the $X(3872)$. For comparison, calculations for the Γ_{ee} of the ordinary 1^{++} charmonium state χ_{c1} have been carried out [15] and the electronic width is found to be in the range between 0.044 eV and 0.46 eV. This was also confirmed in a more recent calculation [14].

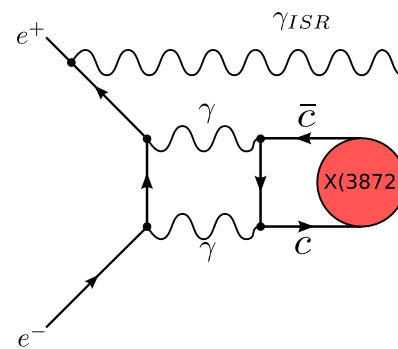


Fig. 1. ISR production of $X(3872)$ via a box diagram.

The current upper limit for $\Gamma_{ee}^{X(3872)}$ is at the $\mathcal{O}(10^2)$ eV level [16], which is three orders of magnitude larger than the theoretical prediction. The aim of this work is to obtain a significantly improved experimental value for the electronic width of $X(3872)$ that may be contrasted with predictions of Γ_{ee} within various theoretical models making different assumptions regarding the nature of the $X(3872)$.

The production of a 1^{++} resonance has never been observed in e^+e^- annihilation so far. Such a process may occur via a two-photon box diagram as depicted in Fig. 1. In order to search for a possible signal we analyze data taken by the BESIII detector at center-of-mass (c.m.) energies above 3.872 GeV, using the Initial State Radiation (ISR) technique. The ISR photon reduces the available c.m. energy, such that the $X(3872)$ can be produced resonantly via the two-photon process. In the process $e^+e^- \rightarrow \gamma_{\text{ISR}} X(3872)$ we search for the $X(3872)$ in its decay to $\pi^+\pi^- J/\psi$ with $J/\psi \rightarrow \ell^+\ell^-$ ($\ell = \mu$ and e). The $\pi^+\pi^- J/\psi$ mass spectrum is expected to be dominated by the well known process $e^+e^- \rightarrow \gamma_{\text{ISR}} \psi(3686)$.

* Corresponding author.

E-mail address: ripka@uni-mainz.de (M. Ripka).

¹ Also at the Novosibirsk State University, Novosibirsk, 630090, Russia.

² Also at Ankara University, 06100 Tandogan, Ankara, Turkey.

³ Also at the Moscow Institute of Physics and Technology, Moscow 141700, Russia and at the Functional Electronics Laboratory, Tomsk State University, Tomsk, 634050, Russia.

⁴ Currently at Istanbul Arel University, 34295 Istanbul, Turkey.

⁵ Also at the University of Texas at Dallas, Richardson, TX 75083, USA.

⁶ Also at the NRC “Kurchatov Institute”, PNPI, 188300, Gatchina, Russia.

⁷ Also at Bogazici University, 34342 Istanbul, Turkey.

⁸ Also at the Moscow Institute of Physics and Technology, Moscow 141700, Russia.

Table 1

Values for the integrals ($I_{\psi(3686)}$ and $I_{X(3872)}$), the efficiencies ($\epsilon_{\psi(3686)}$ and $\epsilon_{X(3872)}$), the event yield $N_{\psi(3686)}^{obs}$ and the electronic widths ($\Gamma_{ee}^{\psi(3686)}$ and $\Gamma_{ee}^{X(3872)}$) $\mathcal{B}(X(3872) \rightarrow \pi^+\pi^- J/\psi)$. The errors shown are statistical only.

| c.m. energy [GeV] | 4.009 | 4.230 | 4.260 | 4.360 |
|---|---------------|---------------|---------------|---------------|
| \mathcal{L} [pb^{-1}] | 482 | 1092 | 826 | 540 |
| $I_{\psi(3686)}$ [pb/keV] | 310 | 172 | 161 | 133 |
| $I_{X(3872)}$ [pb/keV] | 671 | 247 | 225 | 174 |
| $\epsilon_{\psi(3686)}$ | 0.303 | 0.286 | 0.286 | 0.282 |
| $\epsilon_{X(3872)}$ | 0.314 | 0.324 | 0.325 | 0.327 |
| $N_{\psi(2S)}$ | 4168 ± 65 | 5026 ± 71 | 3547 ± 60 | 1846 ± 43 |
| $\Gamma_{ee}^{\psi(3686)}$ [eV] | 2198 ± 34 | 2232 ± 32 | 2223 ± 38 | 2176 ± 51 |
| $\Gamma_{ee}^{X(3872)} \mathcal{B}(X(3872) \rightarrow \pi^+\pi^- J/\psi)$ at 90% C.L. [eV] | 0.630 | 0.314 | 0.319 | 0.646 |

2. BESIII detector, data and Monte Carlo

BESIII is a general purpose detector, covering 93% of the solid angle. It is operating at the e^+e^- double-ring collider BEPCII. A detailed description of the facilities is given in Ref. [18]. BESIII consists of four main components: (a) The helium-based 43 layer main drift chamber (MDC) provides an average single-hit resolution of 135 μm , and a momentum resolution of 0.5% for charged-particle at 1 GeV/c in a 1 T magnetic field. (b) The electromagnetic calorimeter (EMC) consists of 6240 CsI(Tl) crystals, arrayed in a cylindrical structure (barrel) and two endcaps. The energy resolution for 1.0 GeV photons is 2.5% (5%) in the barrel (endcaps), while the position resolution is 6 mm (9 mm) in the barrel (endcaps). (c) The time-of-flight system (TOF) is constructed of 5 cm thick plastic scintillators and includes 88 detectors of 2.4 m length in two layers in the barrel and 96 fan-shaped detectors in the endcaps. The barrel (endcap) time resolution of 80 ps (110 ps) provides 2 sigma K/π separation for momenta up to about 1.0 GeV/c. (d) The muon counter (MUC) consists of resistive plate chambers in nine barrel and eight endcap layers. It is incorporated in the return iron of the superconducting magnet. Its position resolution is about 2 cm.

A GEANT4 [19,20] based detector simulation package is used to model the detector response. This analysis is based on four data samples taken at c.m. energies of 4.009 GeV, 4.230 GeV, 4.260 GeV and 4.360 GeV by the BESIII detector. The integrated luminosity of each data sample is listed in Table 1. The total integrated luminosity is $\mathcal{L}_{tot} = 2.94 \text{ fb}^{-1}$. We simulate the $e^+e^- \rightarrow X(3872)\gamma_{ISR}$ signal process using EVTGEN [21,22], which invokes the VECTORISR generator model [23] for the ISR process and the common $\rho J/\psi$ model for the decay $X(3872) \rightarrow \pi^+\pi^- J/\psi$. The Monte Carlo (MC) simulation of the $e^+e^- \rightarrow \gamma_{ISR}\psi(3686)$ process was performed using the PHOKHARA generator [25]. For the background study we simulate the $e^+e^- \rightarrow \eta J/\psi$ process with EVTGEN and the $e^+e^- \rightarrow \gamma_{ISR}\pi^+\pi^-\pi^+\pi^-$ process with PHOKHARA.

3. Event selection

For the event selection, we require four charged tracks with net charge zero. The point of closest approach to the e^+e^- interaction point is required to be within ± 10 cm in the beam direction and 1 cm in the plane perpendicular to the beam direction. As the J/ψ resonance carries most of the total momentum, the final state leptons can be distinguished from pions by their momenta in the lab frame. Tracks with momentum $p > 1$ GeV/c in the lab frame are identified as leptons, whereas tracks with $p < 600$ MeV/c are identified as pions. The particle identification for leptons is achieved by measuring the ratio of the energy deposited in the EMC divided by the track's momentum measured in the MDC (E/p). If $E/p > 0.4$, we assume the lepton to be an electron, otherwise it is considered a muon candidate. The E/p distributions of data and MC agree well, and MC studies show that the background for $J/\psi \rightarrow e^+e^-$

is negligible. The resolution of the invariant mass of the lepton pairs is 16 MeV/c². We require their invariant mass $M(\ell^+\ell^-)$ to be within $3.05 \leq M(\ell^+\ell^-) \leq 3.14$ GeV/c² for the J/ψ signal selection. Furthermore the opening angle between the two pion tracks is required to satisfy $\cos\alpha_{\pi\pi} \leq 0.6$ to remove background from $e^+e^- \rightarrow \eta J/\psi$ as well as background from mis-identified electrons which originate from γ -conversion. Due to the boost of the η meson in the laboratory frame, the opening angles of its decay products are small. The reaction $e^+e^- \rightarrow \gamma X(3872)$ recently observed by BESIII [6], where the photon comes from a radiative transition of the $Y(4260)$, represents an irreducible background to our signal process. To avoid this background, the ISR photon is required to be emitted at small polar angles $|\cos\theta_{ISR}| > 0.95$, almost colinear to the beam direction. The photon polar angle distribution of the E1 transition $Y(4260) \rightarrow \gamma X(3872)$ measured in [6] proves that this background contribution can be neglected in this polar angle range. Since the ISR photon cannot be detected in this region of the detector, its energy and polar angle are calculated from the missing momentum of the event (untagged ISR photon). As the photon from the radiative decay channel is predominantly emitted at large polar angles, an optimal signal to background ratio is obtained in this way. An MC simulation study shows that the $Y(4260) \rightarrow \gamma X(3872)$ background can be neglected in the region of small polar angles of the ISR photon. To improve the resolution of the $\pi^+\pi^- J/\psi$ mass spectrum and to further remove background, a two-constraint (2C) kinematic fit under the hypothesis of the $\gamma_{ISR}\pi^+\pi^-\ell^+\ell^-$ final state is performed. The two constraints are the J/ψ mass for the lepton pair and the mass of the missing ISR photon, which is zero. We accept events with $\chi_{2C}^2 < 15$.

4. $\pi^+\pi^- J/\psi$ mass spectrum

The invariant mass distributions of $M(\pi^+\pi^- J/\psi)$ for data, signal simulation, and simulation of the dominant background $e^+e^- \rightarrow \eta J/\psi$ are shown in Fig. 2. All the selection criteria described above have been applied here. As expected, the mass spectrum is dominated by the $\psi(3686)$ resonance. No significant $X(3872)$ peak is observed at any of the four c.m. energies. Hence, we set an upper limit for the electronic width of $X(3872)$. In Fig. 2, the blue dotted histogram represents the signal simulation of the $X(3872)$ with arbitrary normalization. The background channels of $e^+e^- \rightarrow \pi^+\pi^-\pi^+\pi^-\gamma_{ISR}$ and $e^+e^- \rightarrow \eta' J/\psi$ with $\eta' \rightarrow \gamma\pi^+\pi^-$ are found to be negligible in an MC simulation study. The background channel $e^+e^- \rightarrow \eta J/\psi$ with $\eta \rightarrow \pi^+\pi^-\pi^0$ is displayed as the orange dash-dotted line in Fig. 2.

Unbinned maximum likelihood fits are performed to extract the yields of $\psi(3686)$ and $X(3872)$ events fits at each c.m. energy, where the line shapes of background are represented by polynomial functions and the line shapes of $\psi(3686)$ and $X(3872)$ are described by the MC shape convoluted with a Gaussian function which takes into account resolution differences between data and MC simulation. We use the same parameters of the Gaussian function for the

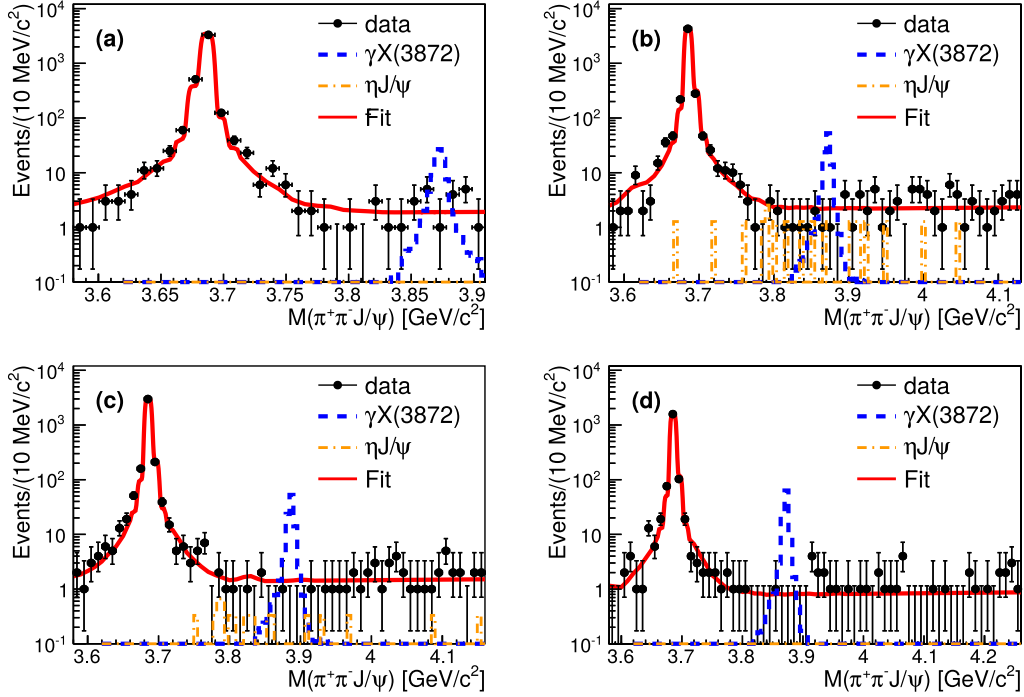


Fig. 2. The $\pi^+\pi^- J/\psi$ mass distributions at (a) $\sqrt{s} = 4.009$ GeV, (b) 4.230 GeV, (c) 4.260 GeV and (d) 4.360 GeV. Dots with error bars are data, the solid red lines are the fit curves, the blue dashed histograms are MC simulated $X(3872)$ signal events, which are normalized arbitrarily, and the orange dot-dashed histograms are MC simulated $\eta J/\psi$ background events.

two resonances. The fit results are displayed as the solid red curves in Fig. 2. The event yields of $\psi(3686)$ from the fits are shown in Table 1.

5. Calculation of Γ_{ee}

The measured radiative event yield N_A of the process $e^+e^- \rightarrow \gamma_{\text{ISR}} A$ can be expressed as a function of $x \equiv 1 - \frac{M(\pi^+\pi^- J/\psi)^2}{s}$ [26]:

$$\frac{dN_A}{dx} = W(s, x) \varepsilon_A \mathcal{L} \sigma(e^+e^- \rightarrow A) \mathcal{B}(A \rightarrow f), \quad (1)$$

where s is the squared c.m. energy, $W(s, x)$ denotes the radiator function, ε_A is the corresponding reconstruction efficiency, \mathcal{L} is the integrated luminosity, $\sigma(e^+e^- \rightarrow A)$ is the Born cross section to produce A in e^+e^- annihilation, $\mathcal{B}(A \rightarrow f) = \mathcal{B}(A \rightarrow \pi^+\pi^- J/\psi) \mathcal{B}(J/\psi \rightarrow \ell^+\ell^-)$ is the product of the branching fractions of A decaying into the final state f .

The relationship between the electronic width Γ_{ee} and the Born cross section reads:

$$\sigma(e^+e^- \rightarrow A) = \frac{12\pi \Gamma_{ee} \Gamma_{\text{tot}}}{(s' - M_A^2)^2 + \Gamma_{\text{tot}}^2 M_A^2}, \quad (2)$$

where $s' = (1-x)s$, Γ_{ee} (Γ_{tot}) is the electronic (total) width of the resonance A , and M_A is its mass. Eq. (1) must be integrated over s' in an appropriate region around the resonance A . The integral only involves the Breit–Wigner function in the Born cross section and the radiator function. Hence it can be separated from the quantities determined in the measurement, such that the integral enters the calculation of the electronic width as a factor denoted by I_A . This factor is given by $I_A = 12\pi \Gamma_{\text{tot}} \int_{x_1}^{x_2} dx \frac{W(s, x)}{(s' - M_A^2)^2 + \Gamma_{\text{tot}}^2 M_A^2}$. The limits of the integral are chosen to coincide with the signal region.

Using Eq. (1), the electronic width times the branching fraction $\mathcal{B}(A \rightarrow \pi^+\pi^- J/\psi)$ can then be obtained via the relation

$$\Gamma_{ee}^A \mathcal{B}(A \rightarrow \pi^+\pi^- J/\psi) = \frac{N_A}{\varepsilon_A \mathcal{L} I_A \mathcal{B}(J/\psi \rightarrow \ell^+\ell^-)}, \quad (3)$$

which is used to determine the electronic widths of $X(3872)$ and $\psi(3686)$. As no significant signal is found in the case of $X(3872)$, we calculate an upper limit for $\Gamma_{ee}^{X(3872)}$. For the branching fractions we take the latest BESIII values $\mathcal{B}(\psi(3686) \rightarrow \pi^+\pi^- J/\psi) = (34.98 \pm 0.45)\%$ and $\mathcal{B}(J/\psi \rightarrow \ell^+\ell^-) = (11.96 \pm 0.05)\%$ [27]. The reconstruction efficiencies ε_A are extracted from the signal MC sample $e^+e^- \rightarrow \gamma_{\text{ISR}} X(3872)$ and $e^+e^- \rightarrow \gamma_{\text{ISR}} \psi(3686)$, respectively. We apply an additional relative correction factor of 2%, which stems from a data-MC difference found in the χ^2 distributions. To obtain this correction factor, the number of events in the background-free $\psi(3686)$ mass region ($3.62 < M(\pi^+\pi^- J/\psi) < 3.75$ GeV/c²) passing the $\chi_{2C}^2 < 15$ requirement relative to all reconstructed events in MC is compared to the respective number obtained from data. All the values for the efficiencies and the integrals I_A at each c.m. energy point are listed in Table 1. The statistical errors of the efficiencies are negligible. First we compute the electronic width of $\psi(3686)$, which is denoted by $\Gamma_{ee}^{\psi(3686)}$. This serves as a benchmark and validation of our method, since the electronic width of $\psi(3686)$ is already known with high accuracy [16]. Applying the numbers for $\psi(3686)$ listed in Table 1 to Eq. (3), we obtain the value for $\Gamma_{ee}^{\psi(3686)}$ at each of the four energy points separately, as shown in Table 1. We calculate the error weighted average of the electronic width of $\psi(3686)$ from the four single measurements in Table 1, which gives $\Gamma_{ee}^{\psi(3686)} = (2213 \pm 18_{\text{stat}})$ eV.

Since no $X(3872)$ signal is observed, we set an upper limit at the 90% confidence level (C.L.) for its electronic width. Applying the Bayesian method, we perform likelihood scans at each of the four data sets of the electronic width times the branching fraction, which is proportional to the $X(3872)$ event yield parameter

N_i according to Eq. (3). This provides four likelihood curves, that are denoted by $L_i(\gamma)$, $i = 1 \dots 4$, where $\gamma = \Gamma_{ee}^{X(3872)} \mathcal{B}(X(3872) \rightarrow \pi^+\pi^- J/\psi)$. We look for the values γ_i^{up} that yield 90% of the likelihood integral over γ from zero to infinity: $\int_0^{\gamma_i^{\text{up}}} d\gamma L_i(\gamma) = 0.9 \int_0^\infty d\gamma L_i(\gamma)$. In order to combine the four measurements, we construct the likelihood of the combined measurement. The four single likelihood curves are scaled such that they have the same value at their respective maxima. We take the product of the likelihood scan curves of the single measurements. The upper limit $\gamma_{\text{tot}}^{\text{up}}$ at the 90% C.L. of γ is determined from

$$\int_0^{\gamma_{\text{tot}}^{\text{up}}} d\gamma \prod_{i=1}^4 L_i(\gamma) = 0.9 \int_0^\infty d\gamma \prod_{i=1}^4 L_i(\gamma).$$

We obtain $\gamma_{\text{tot}}^{\text{up}} = \Gamma_{ee}^{X(3872)} \mathcal{B}(X(3872) \rightarrow \pi^+\pi^- J/\psi) = 0.125$ eV at the 90% C.L.

6. Estimation of systematic uncertainties

The luminosity is measured using large angle Bhabha events, and the uncertainty is estimated to be 1% [28]. The uncertainty related to the tracking efficiency is 1% per charged track [6]. Since the final state has four charged tracks, we estimate an uncertainty of 4% for the whole event. Applying our J/ψ selection both to data and the $\psi(3686)\gamma_{\text{ISR}}$ MC simulation, the obtained event yield differs by 0.2%, which we take as systematic uncertainty for the J/ψ selection. To correct for differences between data and MC simulation in the χ_{2C}^2 distribution, an efficiency correction of 2% was determined. Varying the χ_{2C}^2 selection and calculating the efficiency correction factor again at each energy, we obtain a corresponding uncertainty of 0.4% of the correction factor in the luminosity weighted average. The integrals I_A have an uncertainty of 0.7%, due to the precision of the numerical integration (0.5%) and the calculation of the radiator function (0.5%). The relative uncertainties of the branching fraction $\mathcal{B}(\psi(3686) \rightarrow \pi^+\pi^- J/\psi)$ and $\mathcal{B}(J/\psi \rightarrow \ell^+\ell^-)$ are 1.3% and 0.5%, respectively. There is no correlation between these branching fractions [27]. We take 1.4% as the systematic uncertainty from the branching fractions for the electronic width of $\psi(3686)$. In the calculation of $\Gamma_{ee}^{X(3872)} \mathcal{B}(X(3872) \rightarrow \pi^+\pi^- J/\psi)$ only the branching fraction $\mathcal{B}(J/\psi \rightarrow \ell^+\ell^-)$ appears. Hence, the corresponding uncertainty is 0.5%. To estimate the systematic uncertainty due to the width assumed for $X(3872)$, we change the width by ± 0.2 MeV/ c^2 and repeat the entire fitting procedure. The maximal relative difference of these results from the result obtained with the standard width is found to be 2.7% in the luminosity-weighted average. The detection efficiency of ISR $X(3872)$ events was determined from an MC simulation using the VECTORISR model [23], since this final state is not available in the PHOKHARA event generator. On the other hand, the ISR $\psi(3686)$ detection efficiency was determined using the PHOKHARA event generator, which simulates ISR events with 0.5% precision [24]. To obtain the uncertainty of the ISR simulation with the VECTORISR model, we compare the efficiencies of ISR $\psi(3686)$ events generated with the PHOKHARA event generator [25] and the VECTORISR module [23]. The luminosity-weighted average difference is found to be 3.4% between them, which is taken as systematic uncertainty for the VECTORISR model.

For $\Gamma_{ee}^{\psi(3686)}$ a further systematic uncertainty occurs due to the choice of the fit function. In order to deal with this uncertainty, we determine the number of $N_{\psi(3686)}^{\text{MC}}$ using a second fit function, which is a double Gaussian for the $\psi(3686)$ peak plus a Gaussian

Table 2

Sources of systematic uncertainties and their contribution (%).

| Source | $\Gamma_{ee}^{X(3872)}$ | $\Gamma_{ee}^{\psi(3686)}$ |
|------------------------|-------------------------|----------------------------|
| Luminosity | 1.0 | 1.0 |
| Tracking | 4.0 | 4.0 |
| J/ψ selection | 0.2 | 0.2 |
| Kinematic fit | 0.4 | 0.4 |
| Integrals I_A | 0.7 | 0.7 |
| Branching ratio | 0.5 | 1.4 |
| $X(3872)$ width | 2.7 | – |
| ISR simulation | 3.4 | – |
| $\psi(3686)$ fit model | – | 1.0 |
| Total | 6.1 | 4.5 |

for the $X(3872)$ plus a constant for background. In the luminosity-weighted average, this fit model differs by 1.0%, which is taken as systematic uncertainty. Signal events with a hard final state radiation (FSR) photon are rejected since the J/ψ mass is constraint in the kinematic fit. Thus FSR effects are negligible. Systematic uncertainties from the background shape and the fit range have been found to be negligible. The full list of systematic uncertainties is shown in Table 2. Assuming the sources to be independent, the total systematic uncertainty for the electronic width of $X(3872)$ is 6.1%, while in the case of $\psi(3686)$ we find a systematic uncertainty of 4.5%.

7. Summary

We have performed a search of the process $e^+e^- \rightarrow \gamma_{\text{ISR}} X(3872) \rightarrow \gamma_{\text{ISR}} \pi^+\pi^- J/\psi$ using the ISR untagged method, where the production of $X(3872)$ in e^+e^- annihilations is possible via a two-photon box diagram. No significant $X(3872)$ signal is observed in the $\pi^+\pi^- J/\psi$ mass spectrum. We set an upper limit for the electronic width of $X(3872)$. By combining all four data sets, we finally obtain

$$\Gamma_{ee}^{X(3872)} \mathcal{B}(X(3872) \rightarrow \pi^+\pi^- J/\psi) < 0.13 \text{ eV}$$

at the 90% C.L. Here we have multiplied the upper limit by a factor $1/(1 - \sigma_{\text{sys}})$ in order to take the systematic uncertainties into account. Our measurement improves upon the current limit $\Gamma_{ee}^{X(3872)} \mathcal{B}(X(3872) \rightarrow \pi^+\pi^- J/\psi) < 6.2$ eV at the 90% C.L. [17] by a factor of 46. If we assume the branching fraction $\mathcal{B}(X(3872) \rightarrow \pi^+\pi^- J/\psi) > 3\%$ [16,29], we obtain an upper limit for the electronic width of $X(3872)$ to be $\Gamma_{ee}^{X(3872)} < 4.3$ eV. For the first time we obtain a value for $\Gamma_{ee}^{X(3872)}$ on the $\mathcal{O}(\text{eV})$ level, which is the level predicted for ordinary charmonium states [15]. However, our upper limit is still larger than a theoretical calculation [14] which predicts $\Gamma_{ee} \gtrsim 0.03$ eV. The results should encourage theorists to compute the electronic width of $X(3872)$ under different assumptions regarding its intrinsic nature and to confront these calculations with our measurement. This might lead to new insights regarding the nature of $X(3872)$.

We have also measured the electronic width of the well-known $\psi(3686)$ resonance with the result:

$$\Gamma_{ee}^{\psi(3686)} = (2213 \pm 18_{\text{stat}} \pm 99_{\text{sys}}) \text{ eV}.$$

This is in agreement with the PDG [16] fit, which is (2360 ± 40) eV. With a similar accuracy as the one reported in [30], this is the best individual measurement of $\Gamma_{ee}^{\psi(3686)}$ to date.

Acknowledgements

The BESIII collaboration thanks the staff of BEPCII and the IHEP computing center for their strong support. This work is sup-

ported in part by the National Key Basic Research Program of China under Contract No. 2015CB856700; National Natural Science Foundation of China (NSFC) under Contract Nos. 11125525, 11235011, 11322544, 11335008, 11425524; the Chinese Academy of Sciences (CAS) Large-Scale Scientific Facility Program; Joint Large-Scale Scientific Facility Funds of the NSFC and CAS under Contract Nos. 11179007, U1232201, U1332201; CAS under Contract Nos. KJCX2-YW-N29, KJCX2-YW-N45; 100 Talents Program of CAS; INPAC and Shanghai Key Laboratory for Particle Physics and Cosmology; German Research Foundation DFG under Contract No. CRC-1044; Seventh Framework Programme of the European Union under Marie Curie International Incoming Fellowship Grant Agreement No. 627240; Istituto Nazionale di Fisica Nucleare, Italy; Ministry of Development of Turkey under Contract No. DPT2006K-120470; Russian Foundation for Basic Research under Contract No. 14-07-91152; U.S. Department of Energy under Contract Nos. DE-FG02-04ER41291, DE-FG02-05ER41374, DE-FG02-94ER40823, DESC0010118; U.S. National Science Foundation; University of Groningen (RuG) and the Helmholtzzentrum für Schwerionenforschung GmbH (GSI), Darmstadt; WCU Program of National Research Foundation of Korea under Contract No. R32-2008-000-10155-0.

References

- [1] S.K. Choi, et al., Belle Collaboration, *Phys. Rev. Lett.* 91 (2003) 262001.
- [2] D. Acosta, et al., CDF Collaboration, *Phys. Rev. Lett.* 93 (2004) 072001.
- [3] V.M. Abazov, et al., D0 Collaboration, *Phys. Rev. Lett.* 93 (2004) 162002.
- [4] B. Aubert, et al., BaBar Collaboration, *Phys. Rev. D* 71 (2005) 071103.
- [5] R. Aaij, et al., LHCb Collaboration, *Phys. Rev. Lett.* 110 (2013) 222001.
- [6] M. Ablikim, et al., BESIII Collaboration, *Phys. Rev. Lett.* 112 (2014) 092001.
- [7] B. Aubert, et al., BaBar Collaboration, *Phys. Rev. D* 74 (2006) 071101.
- [8] V. Bhardwaj, et al., Belle Collaboration, *Phys. Rev. Lett.* 107 (2011) 091803.
- [9] A. Abulencia, et al., CDF Collaboration, *Phys. Rev. Lett.* 98 (2007) 132002.
- [10] N. Brambilla, S. Eidelman, et al., *Eur. Phys. J. C* 71 (2011) 1534.
- [11] F.K. Guo, C. Hanhart, U.G. Meißner, Q. Wang, Q. Zhao, *Phys. Lett. B* 725 (2013) 127.
- [12] B. Aubert, et al., BaBar Collaboration, *Phys. Rev. Lett.* 102 (2009) 132001.
- [13] R. Aaij, et al., LHCb Collaboration, *Nucl. Phys. B* 886 (2014) 665.
- [14] A. Denig, F.K. Guo, C. Hanhart, A.V. Nefediev, *Phys. Lett. B* 736 (2014) 221.
- [15] J.H. Kühn, J. Kaplan, E.G.O. Safiani, *Nucl. Phys. B* 157 (1979) 125.
- [16] K.A. Olive, et al., Particle Data Group, *Chin. Phys. C* 38 (2014) 090001.
- [17] B. Aubert, et al., BaBar Collaboration, *Phys. Rev. D* 71 (2005) 052001.
- [18] M. Ablikim, et al., BESIII Collaboration, *Nucl. Instrum. Methods A* 614 (2010) 345.
- [19] S. Agostinelli, et al., GEANT4 Collaboration, *Nucl. Instrum. Methods A* 506 (2003) 250.
- [20] J. Allison, et al., *IEEE Trans. Nucl. Sci.* 53 (2006) 270.
- [21] D.J. Lange, *Nucl. Instrum. Methods A* 462 (2001) 152.
- [22] R.G. Ping, *Chin. Phys. C* 32 (2008) 599.
- [23] G. Bonneau, F. Martin, *Nucl. Phys. B* 27 (1971) 381.
- [24] G. Rodrigo, H. Czyz, J.H. Kuhn, M. Szopa, *Eur. Phys. J. C* 24 (2002) 71–82.
- [25] H. Czyz, A. Grzelińska, J.H. Kühn, *Phys. Rev. D* 81 (2010) 094014.
- [26] V.P. Druzhinin, S.I. Eidelman, S.I. Serednyakov, E.P. Solodov, *Rev. Mod. Phys.* 83 (2011) 1545.
- [27] M. Ablikim, et al., BESIII Collaboration, *Phys. Rev. D* 88 (2013) 032007.
- [28] M. Ablikim, et al., BESIII Collaboration, arXiv:1503.03408 [hep-ex].
- [29] C.Z. Yuan, Belle Collaboration, arXiv:0910.3138 [hep-ex].
- [30] M. Ablikim, et al., BES Collaboration, *Phys. Lett. B* 659 (2008) 74.